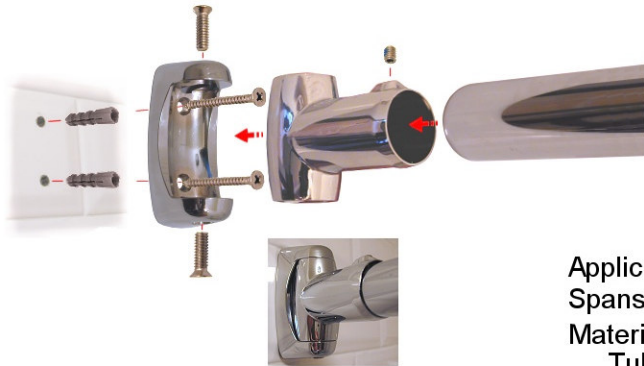


9-1/2" (5' Model)
13-1/2" (6' Model)

56-1/2" (5' Model)
68-1/2" (6' Model)

1" Diameter



59" - 61" (5' Model)
71" - 73" (6' Model)

Assembled Dimensions



Application: 5' standard or oval bath tub.
Spans 57.75"-60.5" w/o modification

Material:

Tube:

- 304 stainless steel
- 25.4 mm OD
- 0.75mm wall thickness
- 600 grit finish (bright)

Brackets (set):

- Die cast zinc, Chrome Plated
- (2) wall mounts
- (2) swivel connectors
- (4) retaining screws

Mounting Hardware:

- (4) decorator anchors
- (4) plug anchors
- (4) wood screws
- (2) ss headless set screws, loctite
- (1) #10 allen wrench

Utility/Benefits:

Distinction from straight shower rods

Stops Leaks:

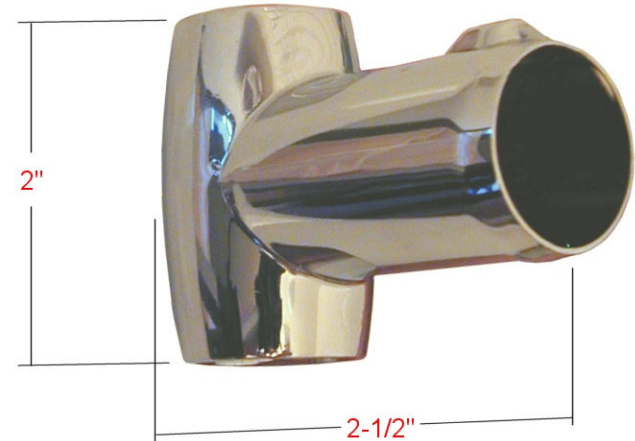
Curves in 3" at corners. Curtain curves in to retain water

Adds Space:

Curves outward in center of tub, 6" beyond straight rod

Curtain:

Uses standard curtain.



1-13/32"
center to center

